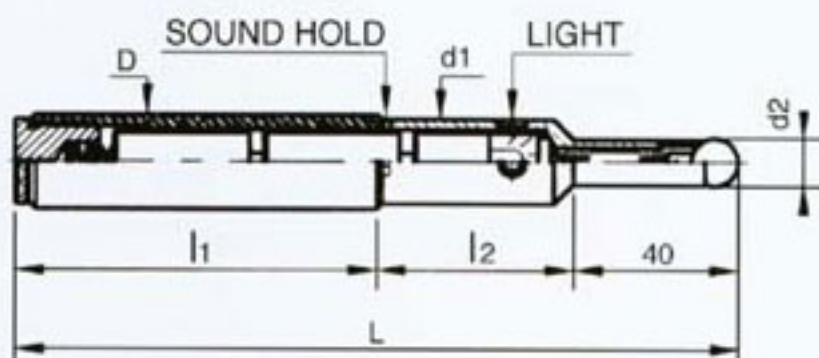
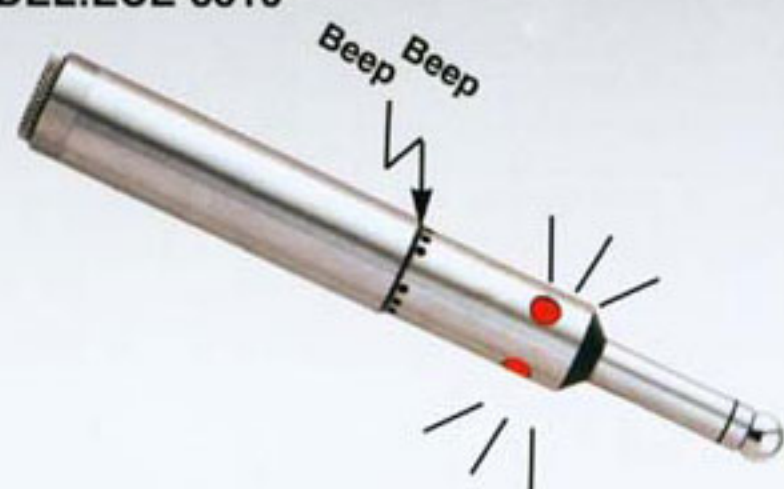




E. S. OPTICAL EDGE FINDER

MODEL: ECE-3310



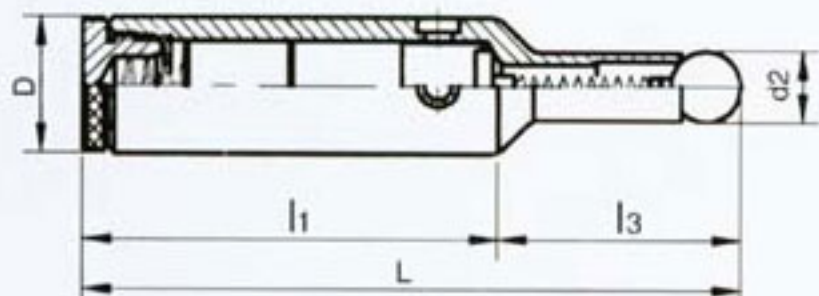
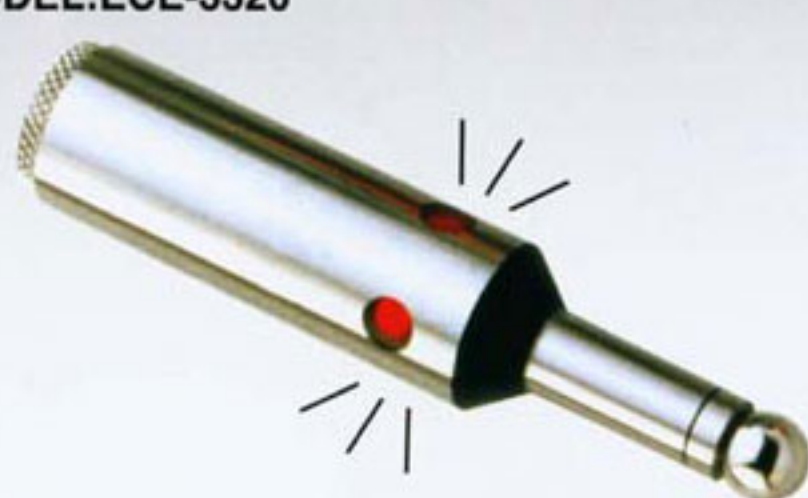
FEATURES

1. The red lamp can concentrate light and resist water.
2. It will beep at the same time when the red lamp lights up.
3. When probe is in a deep hole you can't see the red light, but you can hear the sound.

MODEL	D	d ₁	d ₂	L	l ₁	l ₂	BATTERY TYPE	WEIGHT
ECE-3311	ES-20	18	10	160	79	41	UM-5#(SP) × 2PCS	0.30 kg
ECE-3312	ES-32	18	10	160	79	41		0.60 kg

STUB OPTICAL EDGE FINDER

MODEL: ECE-3320



FEATURES

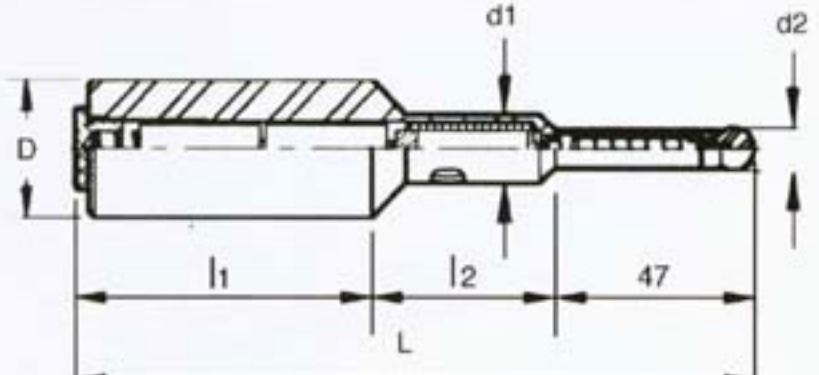
1. High sensitivity probe for accurate positions.
2. Repeating accuracy T.I.R. within 0.005mm.
3. Please wrap batteries by plastic cloth to avoid electric conduction.

MODEL	D	d ₁	L	l ₁	l ₂	BATTERY TYPE	WEIGHT
ECE-3321	ST-20	10	98	65	38	AG13 × 2PCS	0.30 kg
ECE-3323	ST-32	10	98	65	38		0.60 kg
ECE-3325	ST-3/4"	0.4"	98	65	38		0.30 kg
ECE-3327	ST-1 1/4"	0.4"	98	65	38		0.60 kg



OPTICAL EDGE FINDER

MODEL: ECE-3300



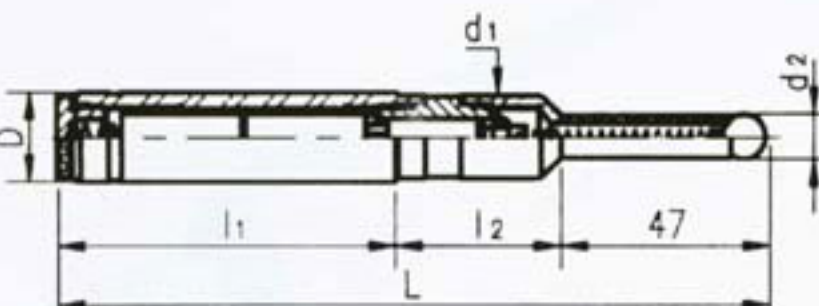
FEATURES

1. Quickly locate work edges.
2. Save time to find positions, for milling machines, jig borers, and other machine tools.
3. Uses dry batteries to light the red lamp.
4. The scope of application includes edge surface, inside and outside diameters and high efficiency.
5. There is a safety spring puller, which will put a ball precisely back to the position when ball breaks away from ball seat.

MODEL	D	d ₁	d ₂	L	l ₁	l ₂	BATTERY TYPE	WEIGHT
ECE-3301	OP-20	18	10	160	79	34	UM-5#(SP) × 2PCS R1/1.5V	0.30 KG
ECE-3302	OP-32	18	10	160	79	34		0.60 KG
ECE-3303	OP-MT2	18	10	160	79	34		0.20 KG

HIBEAM OPTICAL EDGE FINDER

MODEL: ECE-3305



FEATURES

1. New device and nice appearance.
2. There is a large light display, easy to distinguish.
3. Water resistant device.
4. Ball seat and body is whole device, never break or slip out.
5. Uses 2 dry batteries UM5#, more than 26 hours of operation.

MODEL	D	d ₁	d ₂	L	l ₁	l ₂	BATTERY TYPE	WEIGHT
ECE-3305	HI-20	18	10	160	79	34	UM-5#(SP) × 2PCS R1/1.5V	0.30 KG
ECE-3307	HI-32	18	10	160	79	34		0.60 KG
ECE-3309	HI-MT2	18	10	160	79	34		0.20 KG



MECHANICAL EDGE FINDER

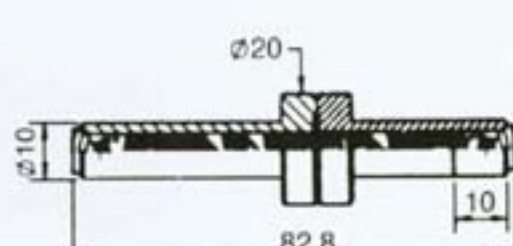
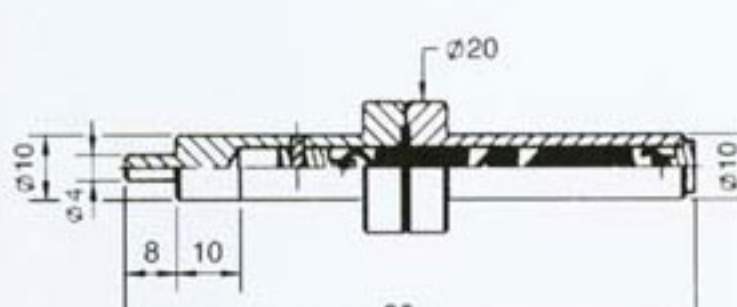
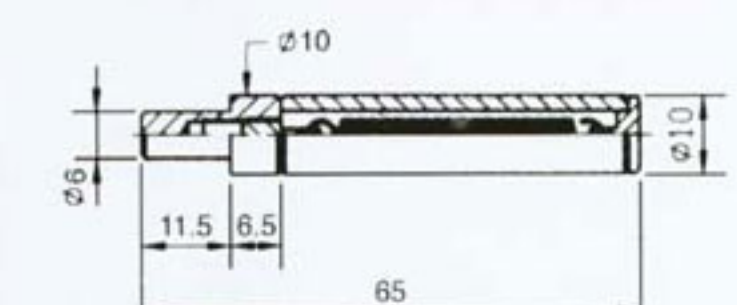
MODEL: ECE-3352 ECE-3354 ECE-3356



N.W. 0.05Kg

N.W. 0.10Kg

N.W. 0.11Kg



FEATURES

1. Accuracy of zero point is within 0.002mm.
2. R.P.M. within 400-600.
3. Min. (4mm) can be test mini hole for your workpiece.
4. Suitable for milling machine, drilling machine, boring machine.