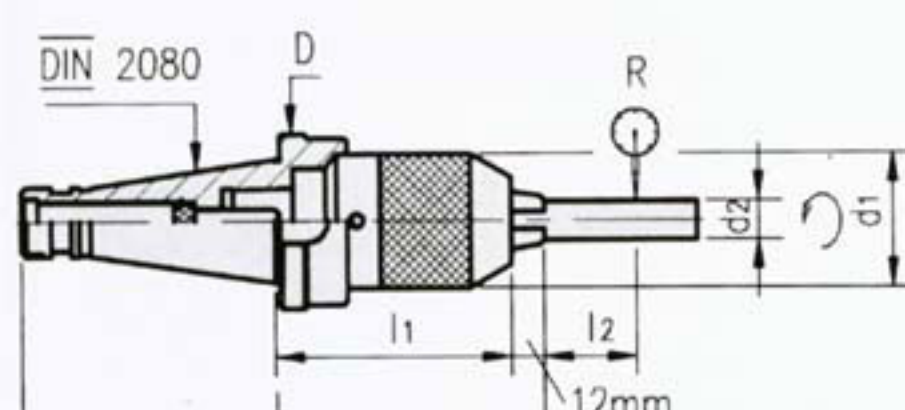
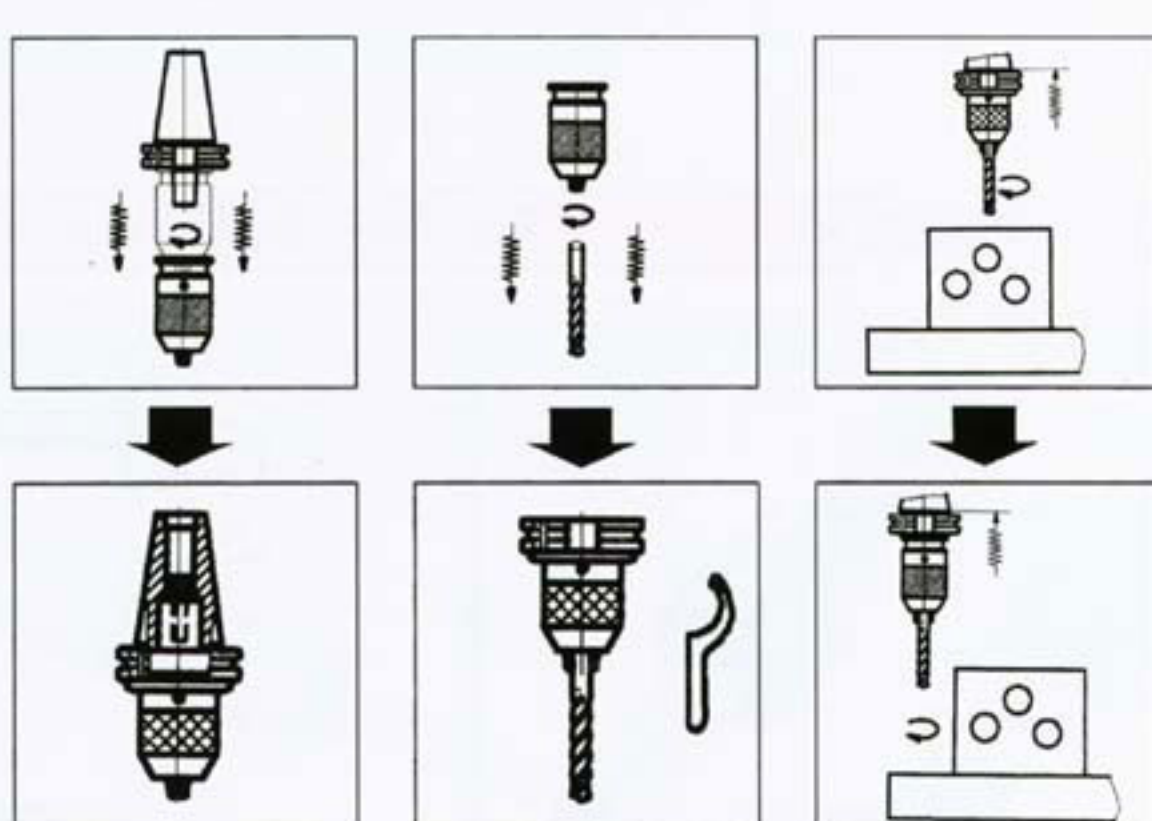


**SPU DRILL CHUCK (INTEGRATED TYPE)**

MODEL: ECE-2230

**FEATURES :**

This product added multi safety design, able to provide for Machine Center, in full automatic operation control by computer, and unmanned management process, can be progress with safety and smoothly.



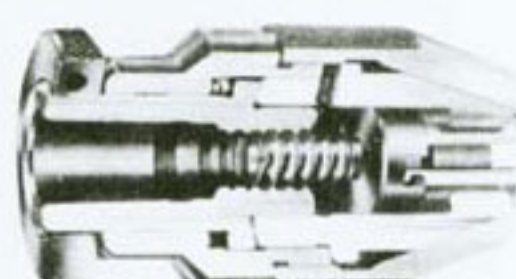
- Avoid chuck falling off.
- Can be use for heavy duty cutting & high speed cutting.
- It also can processing for higher workpiece.

- Inside with tightening design for thread.
- Drill never loosening or falling off.
- Addition use range of machine.

MODEL	TYPE	l1	L	l2	D	d1	d2	R	WEIGHT (KGS)
ECE - 2230	C 20 x SPU13 - 90	90	142	55	50	50	10	0.04	1.15
ECE - 2231	C 25 x SPU13 - 90	90	150	55	50	50	10	0.04	1.30
ECE - 2232	C 32 x SPU13 - 90	90	157	55	50	50	10	0.04	1.50
ECE - 2233	MTA3 x SPU13 - 90	90	184	55	50	50	10	0.04	1.30
ECE - 2234	MTA4 x SPU13 - 90	90	207.5	55	50	50	10	0.04	1.65
ECE - 2236	NT30 x SPU13 - 110	110	190.4	55	49	50	5	0.04	1.50
ECE - 2237	NT40 x SPU13 - 90	90	195.4	55	63	50	10	0.04	1.85
ECE - 2238	NT50 x SPU13 - 80	80	218.8	75	97.5	50	13	0.04	3.80

**KEYLESS DRILL CHUCK (HEAVY DUTY)**

MODEL: ECE-2100



- Industrial design especially for milling machines and drilling machines.
- All hardened parts ensure long life and safety while in operation.

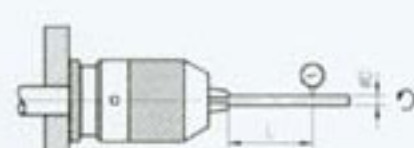
MODEL	TYPE	LENGTH (CLOSED)	OUTER DIA.	CLAMPING CAPACITY	WEIGHT (KGS)
ECE - 2112	08H x JT1	76	38	0 - 8mm 5/16"	0.50
ECE - 2114	10H x JT2	92	43	0 - 10mm 3/8"	0.65
ECE - 2116	13H x JT6	102	49	0 - 13mm 1/2"	0.92
ECE - 2118	16H x JT6	110	55	3 - 16mm 5/8"	1.20
ECE - 2120	16H x JT3	110	55	3 - 16mm 5/8"	1.20
ECE - 2122	08H x B12	76	38	0 - 8mm 5/16"	0.50
ECE - 2124	10H x B12	92	43	0 - 10mm 3/8"	0.65
ECE - 2126	13H x B16	102	49	0 - 13mm 1/2"	0.96
ECE - 2128	16H x B16	110	55	3 - 16mm 5/8"	1.20
ECE - 2130	16H x B18	110	55	3 - 16mm 5/8"	1.20

KEYLESS DRILL CHUCK (SPECIAL HEAVY DUTY)

MODEL: ECE-2150



WITH KEY



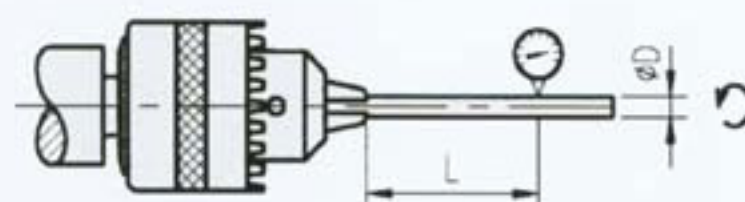
L mm	D mm	CONCENTRICITY
55	5	0.04
55	10	
75	13	

- Extremely high accuracy and precision design, suitable for CNC machines and machine center.
- All parts are ground, heat treated, surface treated and under specific QC condition.

MODEL	TYPE	LENGTH (CLOSED)	OUTER DIA.	CLAMPING CAPACITY	WEIGHT (KGS)
ECE - 2152	08S x JT2	76	38	0 - 8mm 5/16"	0.17
ECE - 2154	10S x JT2	92	43	0 - 10mm 3/8"	0.25
ECE - 2156	13S x JT6	102	49	0 - 13mm 1/2"	0.95
ECE - 2158	08S x B10	76	38	0 - 8mm 5/16"	0.17
ECE - 2160	10S x B12	92	43	0 - 10mm 3/8"	0.25
ECE - 2162	13S x B16	120	49	0 - 13mm 1/2"	1.00
ECE - 2164	13S x MT3	120	49	0 - 13mm 1/2"	0.92
ECE - 2166	16S x MT3	125	57	3 - 16mm 5/8"	1.25

**KEY TYPE DRILL CHUCK (USEFUL DUTY)**

MODEL: ECE-2210



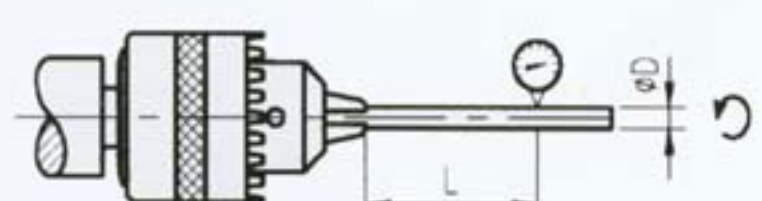
Complete range of various capacities, suitable for professional use on portable and percussion drills.

L mm	D mm	CONCENTRICITY
85	9	0.15
110	12	
120	15	

MODEL	TYPE	LENGTH (CLOSED)	OUTER DIA.	CLAMPING CAPACITY	WEIGHT (KGS)
ECE - 2212	10MTP x B12	63	38	0 - 10mm	0.27
ECE - 2213	13MTP x B16	78	45	0 - 13mm	0.42
ECE - 2216	10MTP x JT2S	63	38	0 - 10mm 3/8"	0.27
ECE - 2217	13MTP x JT6	78	45	0 - 13mm 1/2"	0.42
ECE - 2218	16MTP x JT6	91	55	0 - 16mm 5/8"	0.72
ECE - 2219	16MTP x JT3	91	55	0 - 16mm 5/8"	0.72

KEY TYPE DRILL CHUCK (HEAVY DUTY)

MODEL: ECE-2220



Heavy duty industrial design with exceptional quality, suitable for high precision machines, like, bench, CNC, pedestal drilling machine, milling machine, etc. Totally hardened and ground components ensure high accuracy, durability and gripping power.

L mm	D mm	CONCENTRICITY
110	12	0.08
130	18	

MODEL	TYPE	LENGTH (CLOSED)	OUTER DIA.	CLAMPING CAPACITY	WEIGHT (KGS)
ECE - 2225	13HTP x JT6	81	52.5	0 - 13mm 1/2"	0.62
ECE - 2228	19HTP x JT4	120	73.0	0 - 19mm 3/4"	2.07