

Cable Reels

HANNAY REELS



**Hannay[®]
Reels**

The reel leader.

For use in:

- Rescue and Haz-mat Operations
- Grounds Maintenance and Repair
- Video Inspection
- Portable Lighting
- Broadcast/Entertainment Industry
- Agriculture
- Auxiliary Leads for Power Generation
- Electric Tools
- Hoist and Crane Operations

H-9420-C
Rev. 7



Manual and Power Rewind Reels For storage only.

These heavy-duty reels are designed for the storage of all types of electrical cable. A 4-1/2" x 7" (114.3 mm x 177.8 mm) opening in the drum permits end of cable to be inserted to initiate winding.

Many optional configurations as well as optional divider discs are available to meet specific needs.

Rewind:

Choose gear-driven crank rewind or chain and sprocket drive powered by an electric, compressed air, or hydraulic motor. Gear-driven mechanism with pinion shaft brake can be specified, as auxiliary crank rewind on power rewind reels, at extra cost.

Brakes & Locks:

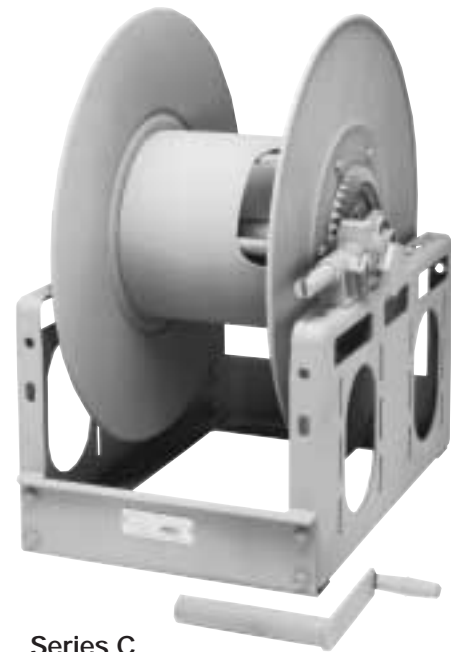
Crank rewind reels will be supplied with pinion brake and power rewind reels with a comet brake. Other brakes and locking devices may be specified. (See Ordering Guide & Accessory Catalog.)

Optional Rollers:

Rollers may be purchased as accessory items. Specify roller position when ordering. Mounting brackets are necessary. (See Ordering Guide & Accessory Catalog.)

Options:

Divider discs can be placed at almost any point on the drum you specify. Be sure to specify spacing of discs on your order. Drum diameters other than the standard are available for cables with larger bend radii. **Note: larger drum diameter reduces reel capacity.**



Series C

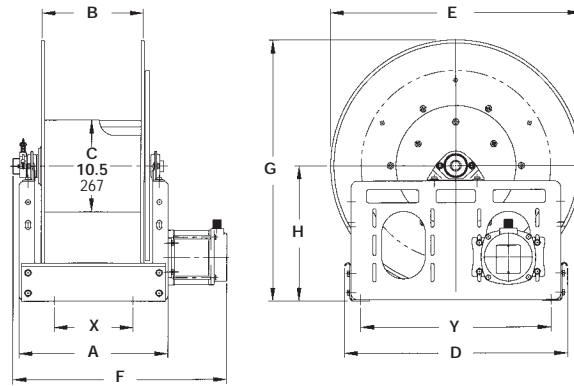
Standard Configuration shown

**NOTE: THESE CABLE STORAGE REELS
HAVE NO LIVE CONNECTIONS.**



Electrical utilities all across America rely on rugged Hannay cable storage reels to protect high-voltage cable from damage.

Dimensions and capacities



Series C

BE SURE TO CHECK DIMENSIONS AND WEIGHTS PRIOR TO ORDERING.
To receive a detailed parts breakdown drawing for Series C, request ISO 71.

Cable Capacity of Reel		Model Number	Reel Dimensions											Approx. Weight		
feet	m.		inches mm.											lb.	kg.	
		x,y indicate mounting holes													See Note 3	
O.D. (in)	3/4" 1"		A	B	D	E	F	F	F	F	G	H	X	Y	NET	SHIP
O.D. (mm)	19 25						CRANK	ELEC.	AIR	HYD						
250	150	C20-19-21	17	11.5	20.5	18.75	20	24.5	22	22.5	21.5	12.12	9	16.75	66	101
76	46		432	292	521	476	508	622	559	572	546	308	229	425	30	46
350	200	C26-19-21	23	17.5	20.5	18.75	26	30.5	28	28.5	21.5	12.12	15	16.75	78	113
107	61		584	445	521	476	660	775	711	724	546	308	381	425	35	51
---	250	C20-23-24	17	11.5	20.5	22.75	20	24.5	22	22.5	23.5	12.12	9	16.75	73	108
---	76		432	292	521	578	508	622	559	572	597	308	229	425	33	49
---	475	C28-23-24	25.5	20	20.5	22.75	28.5	33	30.5	31	23.5	12.12	17.5	16.75	89	124
---	145		648	508	521	578	724	838	775	787	597	308	445	425	40	56
---	325	C20-25-26	17	11.5	25.5	24.75	20	24.5	22	22.5	27.88	15.5	9	21.75	86	121
---	99		432	292	648	629	508	622	559	572	708	394	229	552	39	55
---	450	C24-25-26	21	15.5	25.5	24.75	24	28.5	26	26.5	27.88	15.5	13	21.75	94	129
---	137		533	394	648	629	610	724	660	673	708	394	330	552	43	59
---	375	C18-30-31	15	9.5	25.5	28.75	18	22.5	20	20.5	29.88	15.5	7	21.75	90	125
---	114		381	241	648	730	457	572	508	521	759	394	178	552	41	57

Specifications subject to change.

Notes:

1. Upon request, reels can be supplied with drum lengths other than shown and with drum or disc sizes in other diameters.
2. Dimensions reflect pressed frames.
3. Weights shown in chart are for crank rewind models. ADD these amounts for power rewind models:

	Net (lbs.)	Ship (lbs.)	Net (kg.)	Ship (kg.)
Electric	40	40	18.1	18.1
Hydraulic	20	20	9.1	9.1
Air	20	20	9.1	9.1

4. When ordering power rewind models, prefix model number with:

A = Air Rewind EP = Electric Rewind HD = Hydraulic Rewind
(Air rewind reels are supplied with control valve and hose; 12v and 24v DC rewind reels are supplied with switch and solenoid; 115v AC rewind reels are not supplied with switch but can be ordered separately; hydraulic rewind reels are not supplied with control valve.)

Series C3200/C1500

Manual and Power Rewind Storage Reels For storage only.

Manual Rewind Only:

Series C3200 reels are designed for storage of long lengths of hose, cable, rope, wire or other materials. A 4-1/2" x 7" (114.3 mm x 177.8 mm) opening in the drum permits end of material to be inserted to initiate winding.

Manual or Power Rewind:

Series C1500 reels are designed for storage of hose, cable, rope, wire or other materials. A 1-1/8" x 2-3/8" (28.6 mm x 60.3 mm) opening in the drum permits end of material to be inserted to initiate winding.

Rewind:

Series C3200 – choose disc rewind or optional removable direct crank rewind.

Series C1500 – direct crank rewind, permanently attached to axle, is standard. A removable crank option is available. Also available with chain and sprocket rewind powered by electric, compressed air or hydraulic motor.

Brakes & Locks:

Series C3200 – supplied with a spring actuated pin lock.

Series C1500 – supplied with spring actuated pin lock and a Cam-Lock brake on manual rewind models only. Other brakes or locking devices may be specified. (See Ordering Guide & Accessory Catalog.)

Optional Rollers:

Rollers may be purchased as accessory items. Specify roller position when ordering. Mounting brackets are necessary. (See Ordering Guide & Accessory Catalog.)

Options:

Divider discs can be placed at almost any point on the drum you specify. Be sure to specify spacing of discs on your order. Drum diameters other than the standard are available for cables with larger bend radii. **Note: larger drum diameter reduces reel capacity.**

**NOTE: THESE CABLE STORAGE REELS
HAVE NO LIVE CONNECTIONS.**



Shown with Optional Crank Handle

Series C3200

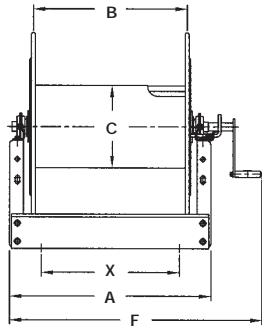
Standard Configuration shown



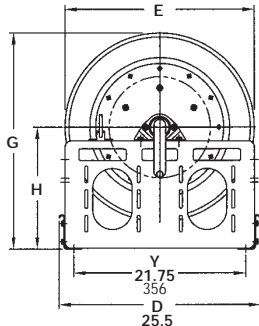
Series C1500

Standard Configuration shown

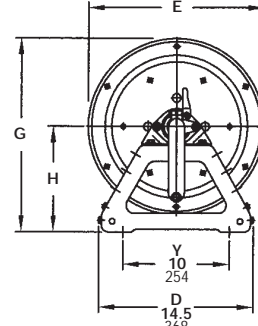
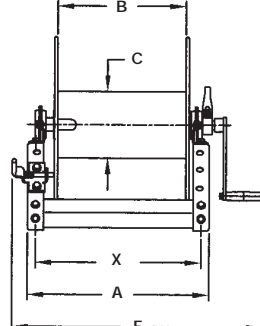
Dimensions and capacities



Series C3200



Series C1500



BE SURE TO CHECK DIMENSIONS AND WEIGHTS PRIOR TO ORDERING.

To receive a detailed Storage Reels parts breakdown drawing for Series C3200, request ISO 117, for Series C1500, request ISO 179.

Cable Capacity of Reel					Model Number	Reel Dimensions														Approx. Weight	
feet m.						inches mm.														Crank Rewind	SHIP
O.D. (in)	1/4"	1/2"	3/4"	1"	For Power Rewind See Note 4	A	B	C	E	E	E	E	F	F	F	F	G	H	X	NET	SHIP
O.D. (mm)	6	13	19	25		x,y indicate mounting holes														lb. kg. See Note 3	
-	-	350	150		C3216-25-26	13	7.5	10.5	24.75	-	-	-	20	-	-	-	27.88	15.5	5	81	123
-	-	107	46			330	191	267	629	-	-	-	508	-	-	-	708	394	127	37	56
-	-	450	200		C3218-25-26	15	9.5	10.5	24.75	-	-	-	22	-	-	-	27.88	15.5	7	85	127
-	-	137	61			381	241	267	629	-	-	-	559	-	-	-	708	394	178	39	58
-	-	700	300		C3222-25-26	19	13.5	10.5	24.75	-	-	-	26	-	-	-	27.88	15.5	11	93	135
-	-	213	91			483	343	267	629	-	-	-	660	-	-	-	708	394	279	42	61
-	-	-	500		C3230-25-26	27.5	22	10.5	24.75	-	-	-	34.5	-	-	-	27.88	15.5	19.5	113	155
-	-	-	152			699	559	267	629	-	-	-	876	-	-	-	708	394	495	51	70
950	200	-	-		C1512-17-18	9	4	6	16.5	19	19	19	14	14.5	14	14.5	18.12	9.88	7.5	22	31*
290	61	-	-			229	102	152	419	483	483	483	356	368	356	368	460	251	191	10	14
1300	325	-	-		C1514-17-18	11	6	6	16.5	19	19	19	16	16.5	16	16.5	18.12	9.88	9.5	23	34*
396	99	-	-			279	152	152	419	483	483	483	406	419	406	419	460	251	241	10	15
-	400	-	-		C1516-17-18	13	8	6	16.5	19	19	19	18	18.5	18	18.5	18.12	9.88	11.5	24	34*
-	122	-	-			330	203	152	419	483	483	483	457	470	457	470	460	251	292	11	15
-	650	-	-		C1520-17-18	17	12	6	16.5	19	19	19	22	22.5	22	22.5	18.12	9.88	15.5	25	38*
-	198	-	-			432	305	152	419	483	483	483	559	572	559	572	460	251	394	11	17
625	325	-	-		C1526-17-18	23	18	6	16.5	19	19	19	28	28.5	28	28.5	18.12	9.88	21.5	31	50*
191	99	-	-			584	457	152	419	483	483	483	711	724	711	724	460	251	546	14	23
-	400	-	-		C1530-17-18	27	22	6	16.5	19	19	19	32	32.5	32	32.5	18.12	9.88	25.5	33	50*
-	122	-	-			686	559	152	419	483	483	483	813	826	813	826	460	251	648	15	23

Specifications subject to change.

Notes:

- Upon request, reels can be supplied with drum lengths other than shown.
- Dimensions reflect pressed frames.
- Weights shown in chart for C1500 series are for crank rewind models. ADD these amounts for power rewind models.

	Net (lbs.)	Ship (lbs.)	Net (kg.)	Ship (kg.)
Electric	18	18	8.2	8.2
Hydraulic	15	15	6.8	6.8
Air	15	15	6.8	6.8

- When ordering power rewind models (C1500 only)

Prefix model number with:

A = Air Rewind E = Electric Rewind HD = Hydraulic Rewind

(Air rewind reels are supplied with control valve and hose; 12v and 24v DC rewind reels are supplied with switch and solenoid; 115v AC rewind reels are not supplied with switch but can be ordered separately; hydraulic rewind reels are not supplied with control valve.)

- Series C3200 requires 3 1/2" clearance to remove crank handle.

- Subtract 5" from 'F' dimension for disc rewind on C3200 Series.

* When shipped as a parcel package (via Fed-Ex or Ups ground).

Manual and Power Rewind Reels To handle live electric cable.

CR Series offers live connection of power cable for direct wiring to a collector ring assembly, allowing continuous current as cable is payed out or rewound.

This series is available in different frame designs and power rewind options as well as manual rewind choices.

Rewind:

Choose direct crank rewind (Series CR1600); gear-driven crank rewind (Series CR6600); or chain and sprocket drive powered by electric, compressed air, or hydraulic motor. An auxiliary rewind is standard on power Series CR6600 reels.

Brakes and Locks:

Series CR1600 models with direct crank rewind are supplied with a spring tension brake as standard. Series CR6600 reels are supplied with a pinion brake. Other brakes or locking devices may be specified. (See Ordering Guide & Accessory Catalog.)

Electricals:

45 amp 3-conductor 600 volt collector assembly with #8 gauge wiring from the collector ring to the junction box is standard. Standard collector assemblies have double brushes per circuit. Brushes are copper graphite with copper alloy rings. Assemblies with additional conductors and/or higher amperage (up to 300 amps) are available at extra cost and must be specified. Silver and mercury collector assemblies are available for special applications. (Consult factory.)

Optional Rollers:

Rollers may be purchased as accessory items. Specify roller position when ordering. Mounting brackets are necessary. (See Ordering Guide & Accessory Catalog.)



Series CR1600 (Manual Rewind)

Left Top Shown (Standard Configuration is Right Top)



Series ECR1600 (Power Rewind)

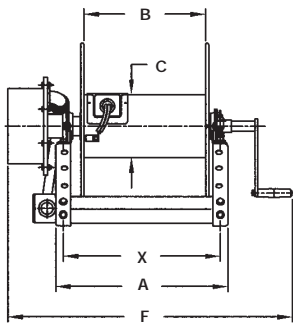
Standard Configuration shown



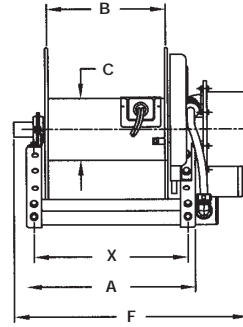
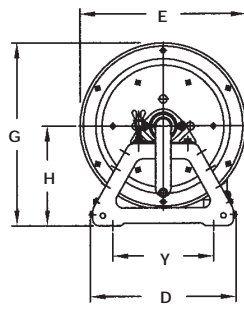
Series CR6600 (Power Rewind)

Standard Configuration shown

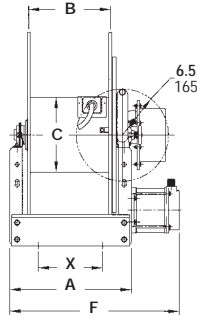
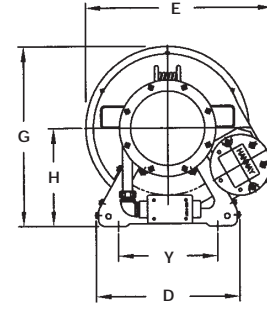
Dimensions and capacities



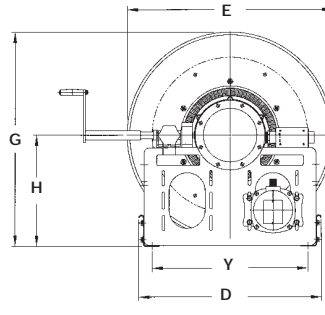
Series CR1600 (Manual Rewind)



Series ECR1600 (Power Rewind)



Series CR6600 (Power Rewind)



BE SURE TO CHECK DIMENSIONS AND WEIGHTS PRIOR TO ORDERING.

To receive a detailed parts breakdown drawing for Series CR1600, request ISO 76, for Series CR6600, request ISO 45.

Cable Capacity of Reel feet m.	Model Number	Reel Dimensions inches mm.																Approx. Weight Crank Rewind lb. kg.			
		Gauge/Number of Conductors 14/3 12/3 10/3 8/3				x,y indicate mounting holes															
O.D. (in)	.530 .600 .690 .750	A	B	C	D	E	E	E	E	F	F	F	F	G	H	X	Y	NET	SHIP		
O.D. (mm)	14 15 18 19					CRANK	ELEC.	AIR	HYD.	CRANK	ELEC.	AIR	HYD.								
225 175 100 -	CR1614-17-18	11	6	6	14.5	16.5	19	19	19	21.75	17.5	17.5	17.5	18.12	9.88	9.5	10	30	45*		
69 53 30 -		279	152	152	368	419	483	483	483	552	445	445	445	460	251	241	254	14	20		
300 200 150 -	CR1616-17-18	13	8	6	14.5	16.5	19	19	19	23.75	19.5	19.5	19.5	18.12	9.88	11.5	10	32	45*		
91 61 46 -		330	203	152	368	419	483	483	483	603	495	495	495	460	251	292	254	15	20		
350 275 200 -	CR1618-17-18	15	10	6	14.5	16.5	19	19	19	25.75	21.5	21.5	21.5	18.12	9.88	13.5	10	33	47*		
107 84 61 -		381	254	152	368	419	483	483	483	654	546	546	546	460	251	343	254	15	21		
450 350 250 -	CR1620-17-18	17	12	6	14.5	16.5	19	19	19	27.75	23.5	23.5	23.5	18.12	9.88	15.5	10	34	50*		
137 107 76 -		432	305	152	368	419	483	483	483	705	597	597	597	460	251	394	254	15	23		
200 150 100 -	CR6614-19-20	11	5.5	10.5	20.5	22	22	22	22	16	17.75	16	16	21.5	12.12	5.75	16.75	113	148		
61 46 30 -		279	140	267	521	559	559	559	559	406	451	406	406	546	308	146	425	51	67		
- 300 225 175	CR6614-23-24	11	5.5	10.5	20.5	23	23	23	23	16	17.75	16	16	23.5	12.12	5.75	16.75	120	155		
- 91 69 53		279	140	267	521	584	584	584	584	406	451	406	406	597	308	146	425	54	70		
- 350 250 200	CR6614-25-26	11	5.5	10.5	25.5	24.75	24.75	24.75	24.75	16	17.75	16	16	27.88	15.5	5.75	21.75	133	168		
- 107 76 61		279	140	267	648	629	629	629	629	406	451	406	406	708	394	146	552	60	76		

Specifications subject to change.

Notes:

- Upon request, reels can be supplied with drum lengths other than shown and with disc sizes in other diameters.
- Dimensions reflect pressed frames.
- Weights shown in chart are for crank rewind models. ADD these amounts for power rewind models:

	Net (lbs.)	Ship (lbs.)	Net (kg.)	Ship (kg.)
Series CR1600				
Electric	18	18	8.2	8.2
Hydraulic	15	15	6.8	6.8
Air	15	15	6.8	6.8

	Net (lbs.)	Ship (lbs.)	Net (kg.)	Ship (kg.)
Series CR6600				
Electric	40	40	18.1	18.1
Hydraulic	20	20	9.1	9.1
Air	20	20	9.1	9.1

- When ordering power rewind models, prefix model number with:

A = Air Rewind E = Electric Rewind (Series CR1600)

EP = Electric Rewind (Series CR6600) HD = Hydraulic Rewind

(Air rewind reels are supplied with control valve and hose; 12v and 24v DC rewind reels are supplied with switch and solenoid; 115v AC rewind reels are not supplied with switch but can be ordered separately; hydraulic rewind reels are not supplied with control valve.)

* When shipped as a parcel package (via Fed-Ex or Ups ground)-less cable.

Series SCR700/NSCR700

Spring Rewind Reels To handle live electric cable.

These series reels are industrial-duty, long-lasting spring rewind reels for live electric cable to power tools, lights, machinery, and generator lines. Equipped with four-way roller assemblies, these reels can be mounted virtually anywhere. SCR Series are available for cables with large bending radii and the NSCR with its narrow frame and mounting base is ideal for compact applications.

Rewind:

A heavy-duty spring motor provides self-contained rewind power. A non sparking ratchet assembly locks the reel when the desired length of cable has been payed out. A pull on the cable unlocks the reel and the spring motor retracts the cable. A declutching arbor is provided to prevent damage from reverse winding. Reel can also be supplied without locking device for constant tension applications. (Consult factory.)

Electricals:

45 amp 3-conductor 600 volt collector assembly with #8 gauge wiring from the collector ring to the junction box is standard. Standard collector assemblies have double brushes per circuit. Brushes are copper graphite with copper alloy rings. Assemblies with additional conductors and/or higher amperage (up to 300 amps) are available at extra cost and must be specified. Silver and mercury collector assemblies are available for special applications. (Consult factory.)

Rollers:

All models are supplied with a 4-way roller assembly. Roller position must be specified. (See Ordering Guide & Accessory Catalog.)

Cable Stop:

A cable stop should be used to prevent damage to rollers and connectors and to permit adjustment of free cable length. (See Ordering Guide & Accessory Catalog.)
A cable stop is not required on reels for constant tension.

NOTE: FOR VERTICAL LIFT, STRETCH
AND/OR CRANE INSTALLATION, CONSULT FACTORY
FOR PROPER SPRING SPECIFICATIONS.



Series SCR700

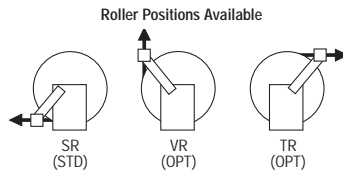
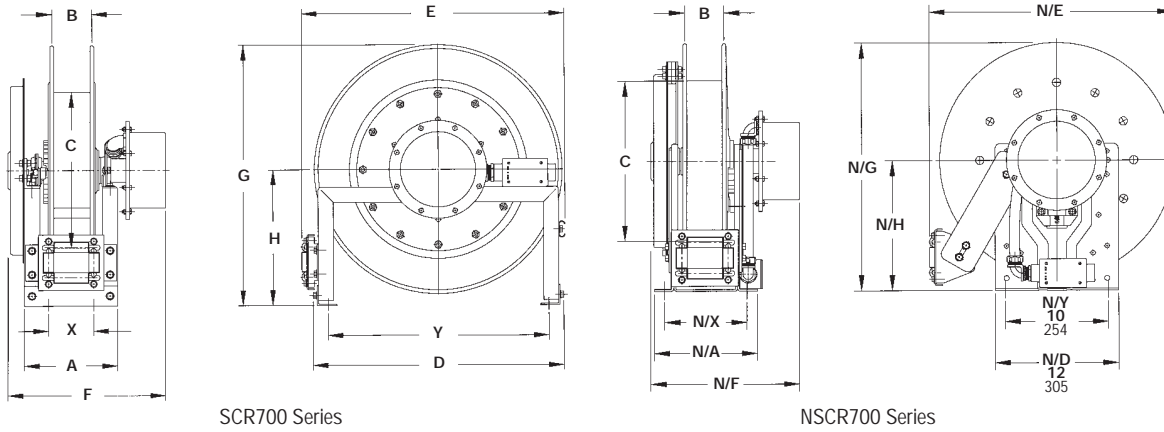
Standard Configuration shown



Series NSCR700

Standard Configuration shown

Dimensions and capacities



BE SURE TO CHECK DIMENSIONS AND WEIGHTS PRIOR TO ORDERING.

To receive a detailed parts breakdown drawing for Series SCR700, request ISO 49, for Series NSCR700, request ISO 164.

Cable Capacity of Reel feet m.	Model Number	Reel Dimensions inches mm.																		Approx. Weight lb. kg.		Roller Assy Supplied on Standard Models
		x,y indicate mounting holes																		NET	SHIP	
Gauge/Number of Conductors 14/3 12/3 10/3 8/3	Delete Prefix N for Channel Frame	A	N/A	B	C	D	N/D	E	N/E	F	N/F	G	N/G	H	N/H	X	N/X	Y				
O.D. (in) .530 .600 .690 .750 O.D. (mm) 14 15 18 19																						
35 25 — —	NSCR715-14-16C	—	9	3	8	—	12	—	17.62	—	13.75	—	16.12	—	9.12	—	7	—	59	74	N203	
11 8 — —		—	229	76	203	—	305	—	448	—	349	—	409	—	232	—	178	—	27	34		
40 35 — —	NSCR715-16-17C	—	9	3	10.5	—	12	—	18.5	—	13.75	—	17	—	9.12	—	7	—	62	77	N203	
12 11 — —		—	229	76	267	—	305	—	470	—	349	—	432	—	232	—	178	—	28	35		
50 50 50 50	NSCR715-19-20J	8.25	9	3	10.5	18	12	19.5	20.75	15.25	13.75	19.75	20	10.38	10.62	3.5	7	15	74	109	N204	
15 15 15 15		210	229	76	267	457	305	495	527	387	349	502	508	264	270	89	178	381	34	49		
75 75 75 75	NSCR716-23-24B	9.25	10	4	15.5	23.25	12	24.38	23.75	16.25	14.75	23.88	24	12.5	12.62	4.5	8	20.25	99	134	N204	
23 23 23 23		235	254	102	394	591	305	619	603	413	375	607	610	318	321	114	203	514	45	61		
100 100 — —	NSCR716-23-24G	9.25	10	4	15.5	23.25	12	24.38	23.75	16.25	14.75	23.88	24	12.5	12.62	4.5	8	20.25	105	140	N204	
30 30 — —		235	254	102	394	591	305	619	603	413	375	607	610	318	321	114	203	514	48	64		
120 120 120 120	SCR716-30-31-20A	9.25	—	4	20	28.5	—	29.62	—	17	—	31.38	—	17	—	4.5	—	25.5	127	162	R204	
37 37 37 37		235	—	102	508	724	—	752	—	432	—	797	—	432	—	114	—	648	58	73		

Specifications subject to change.

Notes:

1. For reels with 4-conductor 45 amp collector assemblies, add 2" to "F" dimension.
2. Reel models and capacities shown are for standard drag applications; for vertical lift applications consult factory.
3. Other sizes from standard components, available on request.

Model SCR10-17-19

Spring Rewind Reels To handle live electric cable.

A compact spring rewind reel with rewind spring and collector assembly housed inside the drum.

Rewind:

A heavy-duty spring motor provides self-contained rewind power. A non sparking ratchet assembly locks the reel when the desired length of cable has been payed out. A pull on the cable unlocks the reel and the spring motor retracts the cable. A declutching arbor is provided to prevent damage from reverse winding.

Electricals:

A 3-conductor 30 amp collector assembly is housed inside the drum. A 6 foot power source lead of 12/3 cable, with 15 amp, 3 prong straight blade plug is provided as standard. (Twistlock plug is optional.) Wires from the collector ring extend through a grommetted opening in the drum.

Cable Stop:

A cable stop should be used to prevent damage to connectors and to permit adjustment of free cable length. (See Ordering Guide & Accessory Catalog.)



Model SCR10-17-19

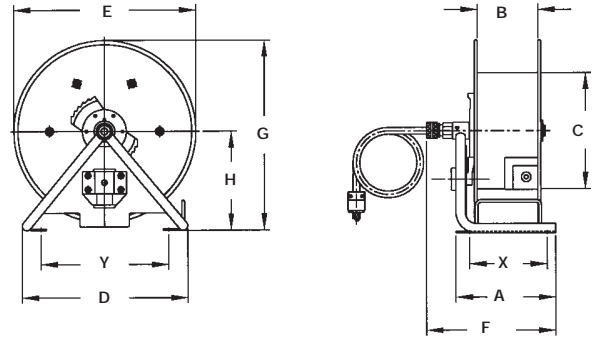
Standard Configuration shown



P/N 9939.0004

Optional Roller Mounting Bracket for the SCR 10-17-19 reel

Dimensions and capacities



Model SCR10-17-19

BE SURE TO CHECK DIMENSIONS AND WEIGHTS PRIOR TO ORDERING.

To receive a detailed parts breakdown drawing for Series SCR10-17-19, request ISO 46.

Cable Capacity of Reel feet m.	Model Number	Reel Dimensions inches mm.											Approx. Weight lb. kg.		
		x,y indicate mounting holes											NET	SHIP	
Gauge/Number of Conductors			A	B	C	D	E	F	G	H	X	Y	NET	SHIP	
16/3	14/3	12/3													
O.D. (in)	.390	.530	.600												
O.D. (mm)	10	14	15												
	70	70	75	9.25	6	10.5	15.5	16.5	11.75	17.12	8.88	7	11.5	42	47*
	21	21	23	235	152	267	394	419	298	435	226	178	292	19	21

Specifications subject to change.

* When shipped as a parcel package (via Fed-Ex or Ups ground).

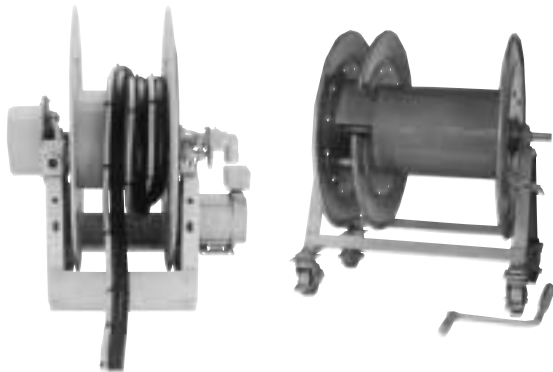
Cable Conversions

Power/Control Cable

Wire Size (AWG)/ Conductors	Area (Per Conductor)	
	Circ. Mils	Sq. mm
16/3	2,600	1.3
14/3	4,100	2.1
12/3	6,500	3.3
10/3	10,500	5.3
8/3	16,800	8.5

Custom Engineering Reels and spools.

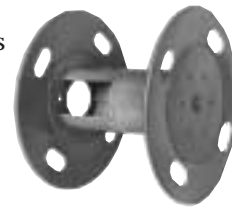
Custom spools and reels for cable handling and storage can be built in an almost limitless range of sizes and with a wide variety of special features, such as divider discs, slotted discs, casters, etc. All rewind mechanisms described in this catalog can be specified for custom-built reels. To meet special requirements, motors used to power chain and sprocket rewind mechanisms can be mounted off the reel or within the reel frame.



Cable Chart

TYPE SOOW—600 Volt					
NO. OF COND.	AWG SIZE	NOMINAL O.D		CURRENT AMPS	WEIGHT LBS/M
		INCHES	MM		
2	18	0.345	8.74	10	75
3	18	0.365	9.27	10	87
4	18	0.390	9.91	7	102
2	16	0.370	9.40	13	78
3	16	0.390	9.91	13	105
4	16	0.415	10.54	10	120
2	14	0.500	12.70	18	151
3	14	0.530	13.46	18	176
4	14	0.570	14.48	15	210
2	12	0.575	14.61	25	201
3	12	0.600	15.24	25	235
4	12	0.650	16.51	20	291
2	10	0.625	15.88	30	245
3	10	0.660	16.76	30	307
4	10	0.710	18.03	25	360
2	8	0.675	17.15	40	300
3	8	0.725	18.42	40	383
4	8	0.780	19.81	35	511
5	8	0.875	22.23	28	633

Spools include the discs, tie-rods and spacers, and the drum. Since discs are inventoried in a range of standard diameters, and drum lengths can be adjusted, spools can be supplied to accommodate a wide range of cable sizes and lengths.



Orders and quotations:

See order form to supply proper information for orders or quotations, found in Ordering Guide & Accessory Catalog H-9412-OA.

Requests for quotations for custom reels and spools should include:

- Complete specifications on cable size and length and weight.
- O.D. and bending radius of cable.
- Number of conductors, voltage and amperage.
- Type of rewind mechanism, including available power for electric, hydraulic or air rewind motors.
- Complete description of how reel is to be installed and used.
- Specification of any accessories.



Hannay Reels gives you the power you need.

As the leading manufacturer of hose and cable reels, Hannay knows what you need in a reel. You need a reel that's long-lasting. Built to high standards. One that requires only minimal routine maintenance. A reel that helps you get the job done.

You need Hannay Reels.

All our reels are made to stringent specifications, so you know you're buying reels you can depend on year after year, even under the most demanding conditions. Plus, we make reels for every application and every industry. We have 2700 standard models and if one of these doesn't meet your needs, we'll work with you to design a reel that fits your specific application.

This catalog contains our most popular cable reels. For other hose reels, cable reels, or reels for specific applications, just ask and we'll send you the catalog you need. After all, when you deal with the reel leader, it's easier to have a reel choice.

To order Hannay Reels

Please refer to our Ordering Guide & Accessory Catalog. For more information on our 2700 standard models of hose and cable reels, please ask about specific product catalogs.

Other Hannay Catalogs available are: Aviation Refueling, Firefighting, LP Gas, Lube, Petroleum Delivery, Portable, Spray, Stainless, Triad Rescue, Welding, Audio/Video, Pressure Wash, Hose Reels and Ordering Guide & Accessory Catalog.

Available from:



553 State Route 143
Westerlo, NY 12193-0159
Telephone 518-797-3791 TOLL FREE 1-877- GO REELS (467-3357)
FAX 1-800-REELING (733-5464) USA
or
FAX 518-797-3259 (International)
www.hannay.com email: reels@hannay.com



This Hannay cable reel mounted in an overhead installation provides electrical power to a crane in an industrial plant.



A truck-mounted Hannay reel handles grounding cable for mobile utility applications.