

CIRCULAR HOLDING ELECTROMAGNETS

Complete range of dc holding electromagnets for lifting, holding and locking applications. IP54 or IP64 versions, other voltage/power and customized designs are available on request.

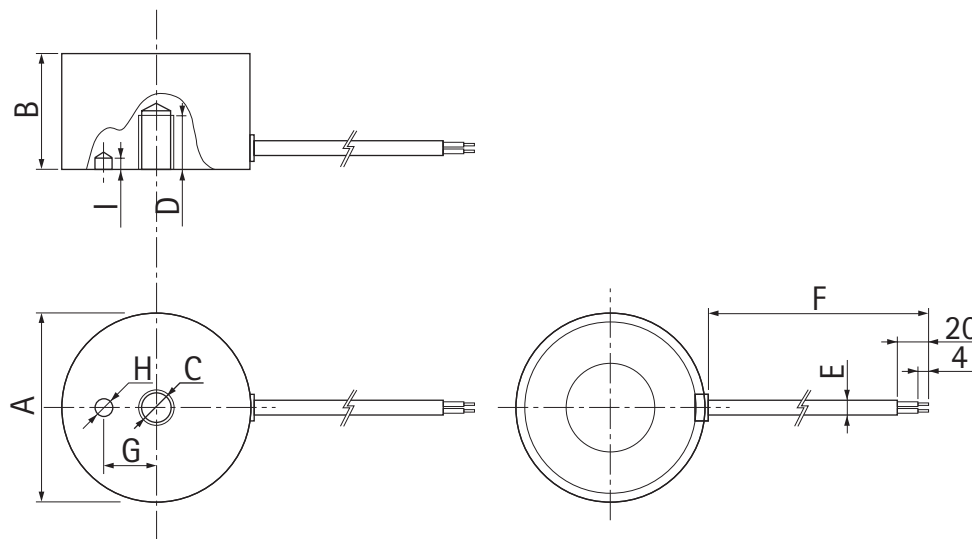
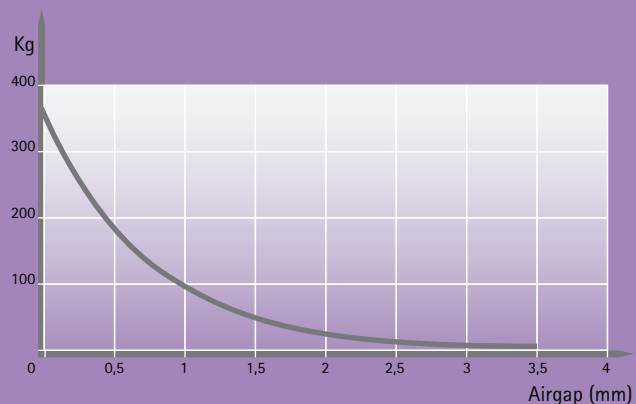
| STANDARD MODELS | | ERC 020 | ERC 030 | ERC 040 | ERC 045 | ERC 048 | ERC 060 | ERC 070 | ERC 080 | ERC 100 |
|---------------------------------------|------|-----------|-----------|------------|------------|------------|--------------|--------------|--------------|------------|
| Diameter (A) | mm | 20,0 | 30,0 | 40,0 | 45,0 | 48,0 | 60,0 | 70,0 | 80,0 | 100,0 |
| Height (B) | mm | 20,0 | 20,0 | 22,0 | 30,0 | 27,0 | 32,0 | 32,0 | 36,0 | 40,0 |
| Holding Force (see note) | kg | 4,5 | 24,0 | 36 | 50,0 | 73,0 | 11,0 | 18,0 | 250 | 380,0 |
| Recommended Counterplate Thickness | mm | 3,0 | 5,0 | 5,0 | 5,0 | 6,0 | 8,0 | 8,0 | 10,0 | 10,0 |
| Power Supply (standard) | Volt | 24 dc | 24 dc | 24 dc | 24 dc | 24 dc | 24 dc | 24 dc | 24 dc | 24 dc |
| Power Consumption (at 20 °C) | Watt | 2,3 | 4,5 | 4,5 | 4,5 | 8,5 | 10 | 13,0 | 28,0 | 30,0 |
| Duty Cycle (max. amb. Temp 35 °C) | % | 100% | 100% | 100% | 100% | 100% | 100% | 100% | 100% | 100% |
| Fixation (Cx/D) | mm | M5 x 10 | M6 x 10 | M6 x 10 | M6 x 10 | M6 x 10 | M8 x 15 | M8 x 15 | M8 x 15 | M12 x 20 |
| Standard Cable Connection (ExF) | mm | 5,5 x 200 | 5,5 x 200 | 5,5 x 200 | 5,5 x 200 | 5,5 x 200 | 5,5 x 200 | 6,5 x 200 | 6,5 x 200 | 6,5 x 200 |
| Indexing/Anti-Rotating Hole (G/H x I) | mm | no | no | 13/4,5 x 1 | 13/4,5 x 1 | 13/4,5 x 1 | 15/5,5 x 2,5 | 20/5,5 x 2,5 | 25/5,5 x 3,5 | 35/6,5 x 4 |
| Weight | g | 40 | 40 | 170 | 200 | 290 | 600 | 780 | 1150 | 1900 |

IMPORTANT NOTICE: the holding force values are axial and referred to zero airgap contact on polished steel counterplate of the recommended thickness, and 90% of power supply. Airgaps, irregular, curved, painted or dirty surfaces and asymmetrical efforts will negatively affect the holding force.

Other models available on request.

Electromagnet ERC100XXX040BAK

Holding force Vs Airgap (experimental)



RECTANGULAR HEAVY DUTY HOLDING ELECTROMAGNETS

Complete range of dc holding electromagnets for heavy duty lifting, holding and locking industrial applications.
Standard IP64 protection, special cable and connection, other voltage/power and customized designs are available on request.

| STANDARD MODELS | | ERR 100 | ERR 160 | ERR 250 |
|------------------------------------|------|----------------|-----------------|----------------|
| Lenght (A) | mm | 100,0 | 160,0 | 250,0 |
| Width (B) | mm | 40,0 | 40,0 | 40,0 |
| Height (C) | mm | 40,0 | 40,0 | 40,0 |
| Holding Force (see note) | kg | 70 | 150 | 320 |
| Recommended Counterplate Thickness | mm | 10,0 | 10,0 | 10,0 |
| Power Supply (standard) | Volt | 24 dc | 24 dc | 24 dc |
| Power Consumption (at 20 C) | Watt | 10,0 | 15,0 | 22,0 |
| Duty Cycle (max. amb. Temp 35 C) | % | 100% | 100% | 100% |
| Fixation (D/E) | mm | 40/30 (2 x M6) | 100/30 (2 x M6) | 95/30 (3 x M6) |
| Weight | g | 900 | 1400 | 2200 |

Important Notice: the holding force values are axial and referred to zero airgap contact on polished steel counterplate of the recommended thickness, and 90% of power supply. Airgaps, irregular, curved, painted or dirty surfaces and asymmetrical efforts will negatively affect the holding force.

Other models available on request.

